



# GARLANDS

26-33



# Introduction

## Garland conveyor systems

### Characteristics and advantages

Garland systems are generally used in transporting larger materials using high load capacity belts, since the hanging system allows for greater belt transportation volume and speed.

The articulation of the garlands allows them to adapt to the shape of the material, reducing impacts against the belt and rollers, which facilitates transportation and considerably increases the life of the rollers. The main advantage in using this system is that the garland can oscillate lengthwise (in the direction of the material being transported), and transversely, absorbing stress and reducing wear on the belt and rollers.

Main advantages garland systems have over fixed supports:

- Better dynamic absorption of stresses.
- Best positioning of the load in the centre of the belt.
- Higher carrying capacity.
- Higher speeds.
- Reduced structural weight.
- Improved belt alignment.

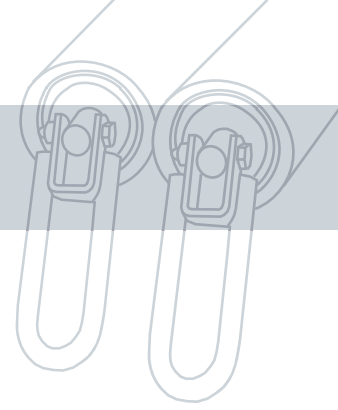
### Roller arrangement

The garland is composed of a series of carrying rollers, connected together by chain links. The most common arrangements are:

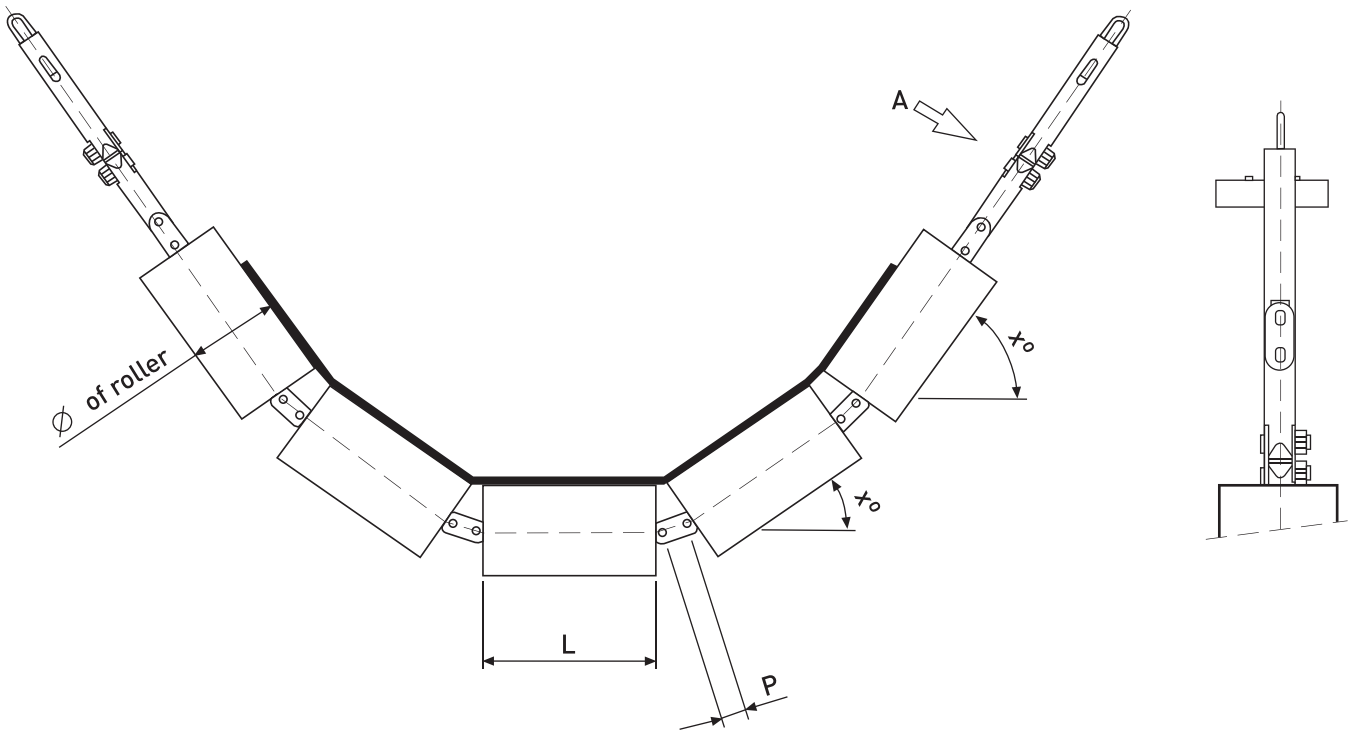
- 2 metallic or rubber rings rollers on return side.
- 3 metallic rollers on carry side.
- 5 metallic rollers or impact rubber rings rollers at the loading stations.



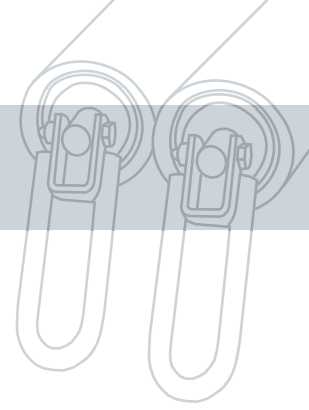




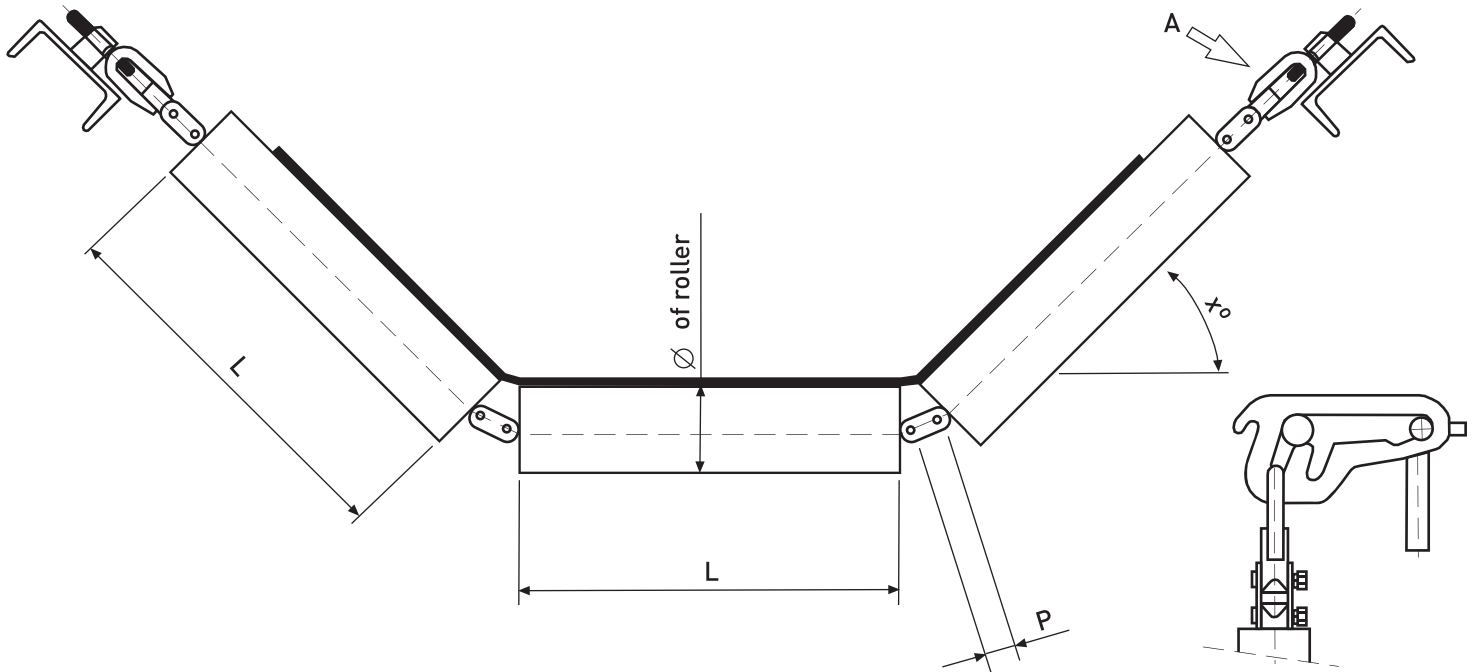
## LOADING GARLAND WITH 5 ROLLERS



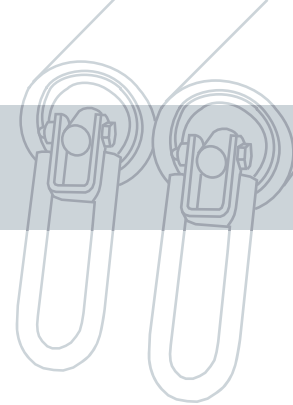
Belt Width	∅ of roller	L	Shaft	Bearing	Pitch	x°
1200	159-177,8-193,7	250	40	6308	50,8	35°, 60°
		250	50	6310	57,15	35°, 60°
		250	60	6312	57,15	35°, 60°
1400	159-177,8-193,7	290	40	6308	50,8	35°, 60°
		290	50	6310	57,15	35°, 60°
		290	60	6312	57,15	35°, 60°
1600	159-177,8-193,7	340	40	6308	50,8	35°, 60°
		340	50	6310	57,15	35°, 60°
		340	60	6312	57,15	35°, 60°
1800	159-177,8-193,7	380	40	6308	50,8	35°, 60°
		380	50	6310	57,15	35°, 60°
		380	60	6312	57,15	35°, 60°
2000	159-177,8-193,7	420	40	6308	50,8	35°, 60°
		420	50	6310	57,15	35°, 60°
		420	60	6312	57,15	35°, 60°
2200	159-177,8-193,7	460	40	6308	50,8	35°, 60°
		460	50	6310	57,15	35°, 60°
		460	60	6312	57,15	35°, 60°
2400	159-177,8-193,7	500	40	6308	50,8	35°, 60°
		500	50	6310	57,15	35°, 60°
		500	60	6312	57,15	35°, 60°



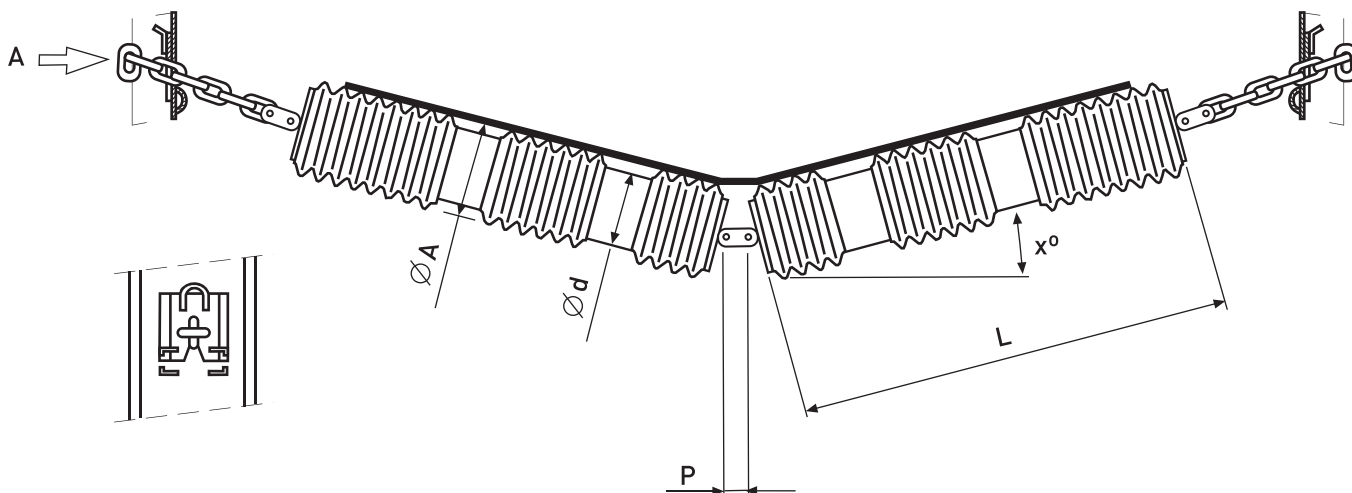
## CARRY GARLAND WITH 3 ROLLERS



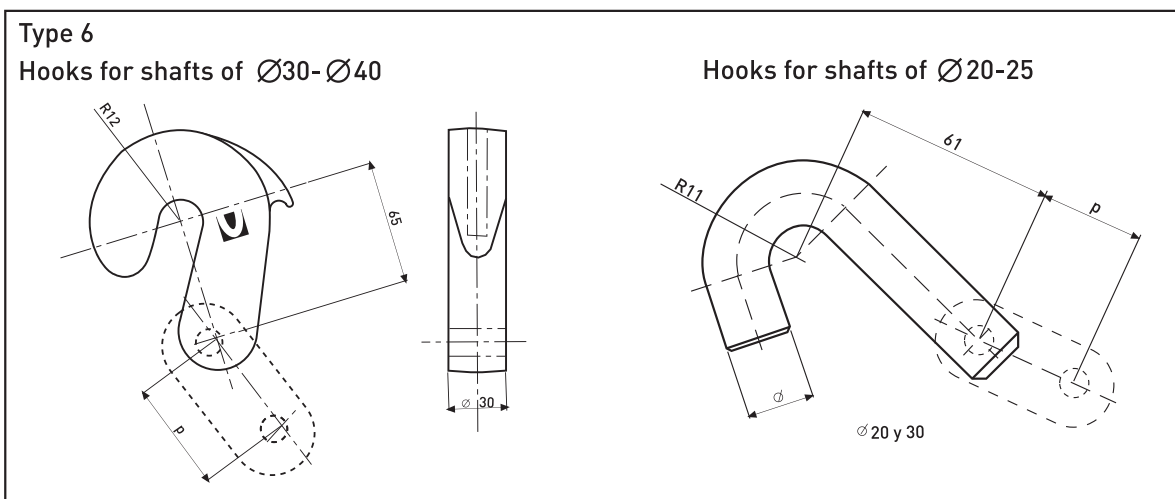
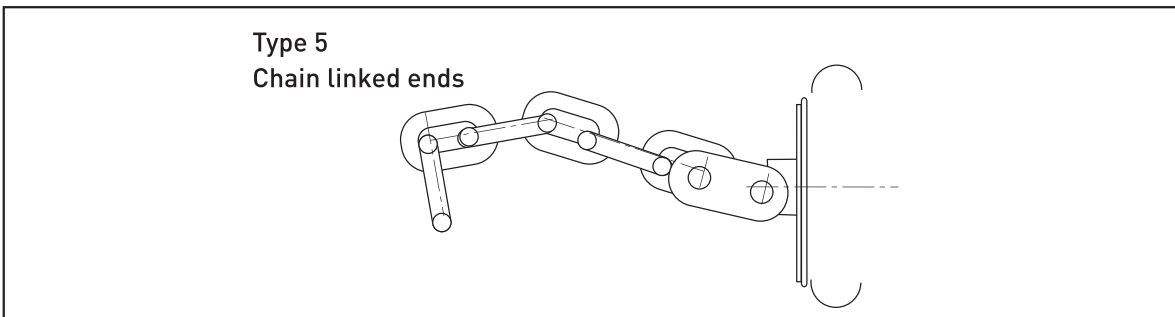
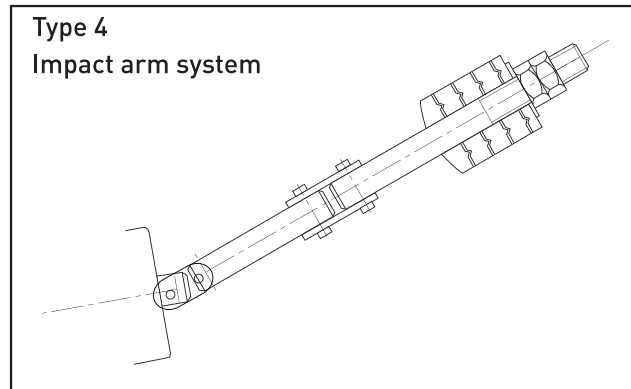
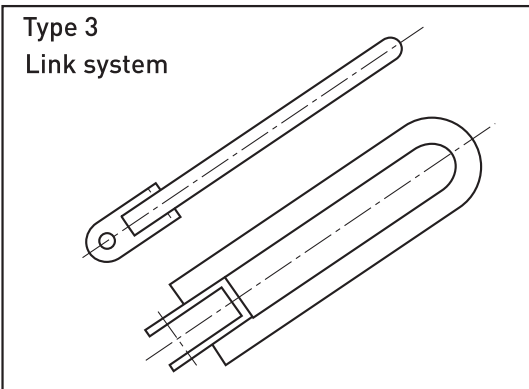
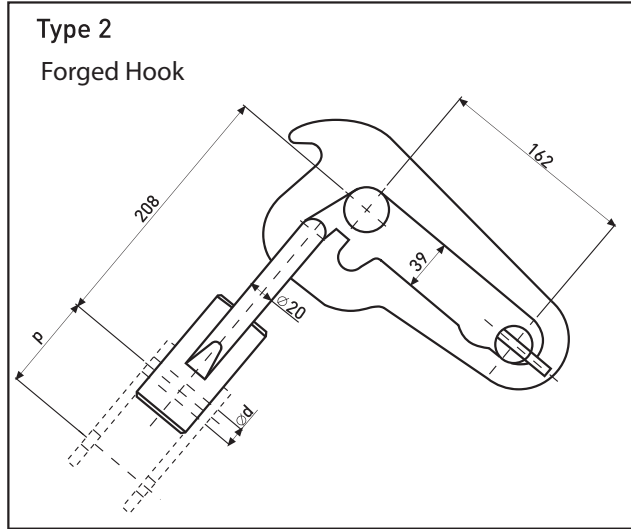
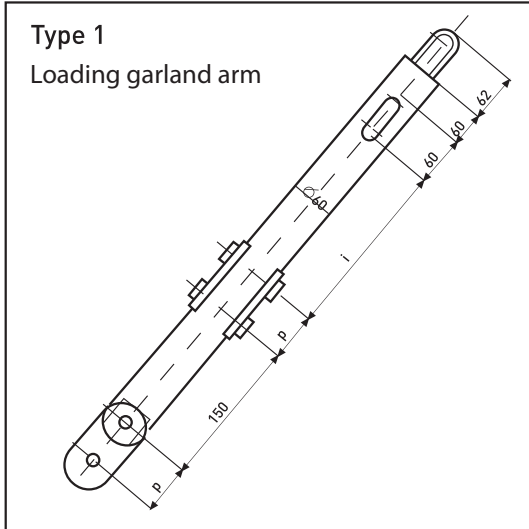
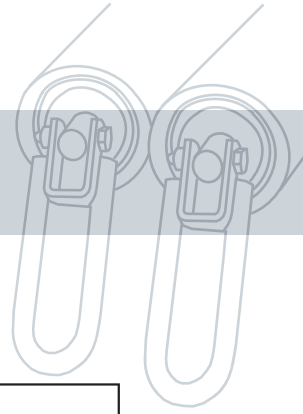
Belt width	Ø of roller	L	Shaft	Bearing	Pitch	x°
500	89-108-133	200	20	6204	25,4	25°-45°
	89-108-133-159	200	25	6205	31,75	25°-45°
		200	25	6305	31,75	25°-45°
650	89-108-133	250	20	6204	25,4	25°-45°
	89-108-133-159	250	25	6205	31,75	25°-45°
		250	25	6305	31,75	25°-45°
		250	30	6306	38,1	25°-45°
800	89-108-133	315	20	6204	25,4	25°-45°
	89-108-133-159	315	25	6205	31,75	25°-45°
		315	25	6305	31,75	25°-45°
		315	30	6306	38,1	25°-45°
1000	89-108-133	380	20	6204	25,4	25°-45°
	89-108-133-159	380	25	6205	31,75	25°-45°
		380	25	6305	31,75	25°-45°
		380	30	6306	38,1	25°-45°
1200	89-108-133	465	20	6204	25,4	25°-45°
	89-108-133-159	465	25	6205	31,75	25°-45°
		465	25	6305	31,75	25°-45°
		465	30	6306	38,1	25°-45°
	108-159	465	40	6308	50,8	25°-45°
1400	89-108-133	530	20	6204	25,4	25°-45°
	89-108-133-159	530	25	6205	31,75	25°-45°
		530	25	6305	31,75	25°-45°
		530	30	6306	38,1	25°-45°
	108-159-193,7	530	40	6308	50,8	25°-45°
1600	89-108-133-159	600	25	6205	31,75	25°-45°
		600	25	6305	31,75	25°-45°
		600	30	6306	38,1	25°-45°
	108-159-193,7	600	40	6308	50,8	25°-45°
1800	108-159-193,7	670	30	6306	38,1	25°-45°
	159-193,7	670	40	6308	50,8	25°-45°
		670	50	6310	50,8	25°-45°
2000	108-159-193,7	750	40	6308	50,8	25°-45°
	159-193,7	750	50	6310	50,8	25°-45°
		750	60	6312	57,15	25°-45°
2200	108-159-193,7	800	40	6308	50,8	25°-45°
	159-193,7	800	50	6310	50,8	25°-45°
		800	60	6312	57,15	25°-45°

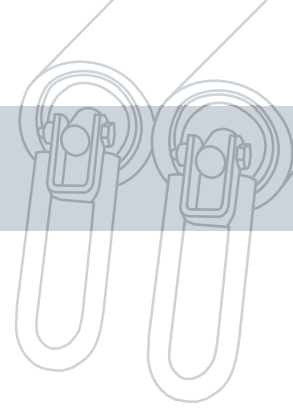


## RETURN GARLAND WITH 2 ROLLERS

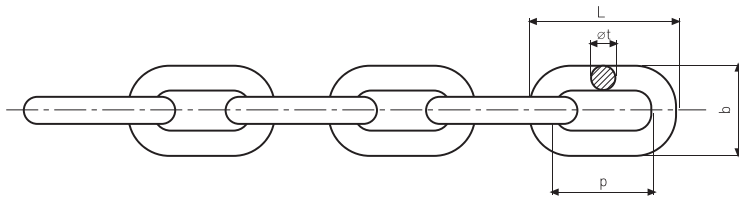


Belt width	Ø of roller	L	Shaft	Bearing	Pitch	x°
500	89-108-133	315	20	6204	25,4	10°
	89-108-133-159	315	25	6205	31,75	10°
		315	25	6305	31,75	10°
650	89-108-133	380	20	6204	25,4	10°
		380	25	6205	31,75	10°
	89-108-133-159	380	25	6305	31,75	10°
		380	30	6306	38,1	10°
800	89-108-133	465	20	6204	25,4	10°
		465	25	6205	31,75	10°
	89-108-133-159	465	25	6305	31,75	10°
		465	30	6306	38,1	10°
1000	89-108-133	600	20	6204	25,4	10°
		600	25	6205	31,75	10°
	89-108-133-159	600	25	6305	31,75	10°
		600	30	6306	38,1	10°
1200	89-108-133	700	20	6204	25,4	10°
		700	25	6205	31,75	10°
	89-108-133-159	700	25	6305	31,75	10°
		700	30	6306	38,1	10°
	108-159	700	40	6308	50,8	10°
1400	89-108-133	800	20	6204	25,4	10°
		800	25	6205	31,75	10°
	89-108-133-159	800	25	6305	31,75	10°
		800	30	6306	38,1	10°
	108-159-193,7	800	40	6308	50,8	10°
1600	89-108-133-159	900	25	6205	31,75	10°
		900	25	6305	31,75	10°
	108-159-193,7	900	30	6306	38,1	10°
		900	40	6308	50,8	10°
1800	108-133-159	1000	25	6205	31,75	10°
		1000	25	6305	31,75	10°
	108-159-193,7	1000	40	6306	38,1	10°
		1000	50	6308	50,8	10°
	159-193,7	1000	60	6310	50,8	10°
2000	133-159	1100	25	6205	31,75	10°
		1100	25	6305	31,75	10°
	108-159-193,7	1100	40	6308	50,8	10°
		1100	50	6310	50,8	10°
	159-193,7	1100	60	6312	57,15	10°
2200	133-159	1250	30	6306	38,1	10°
	108-159-193,7	1250	40	6308	50,8	10°
		1250	50	6310	50,8	10°
	159-193,7	1250	60	6312	57,15	10°



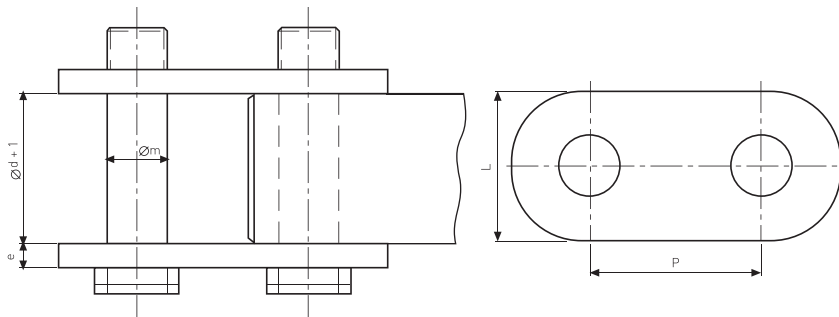


## CHAIN ACCORDING TO DIN 764



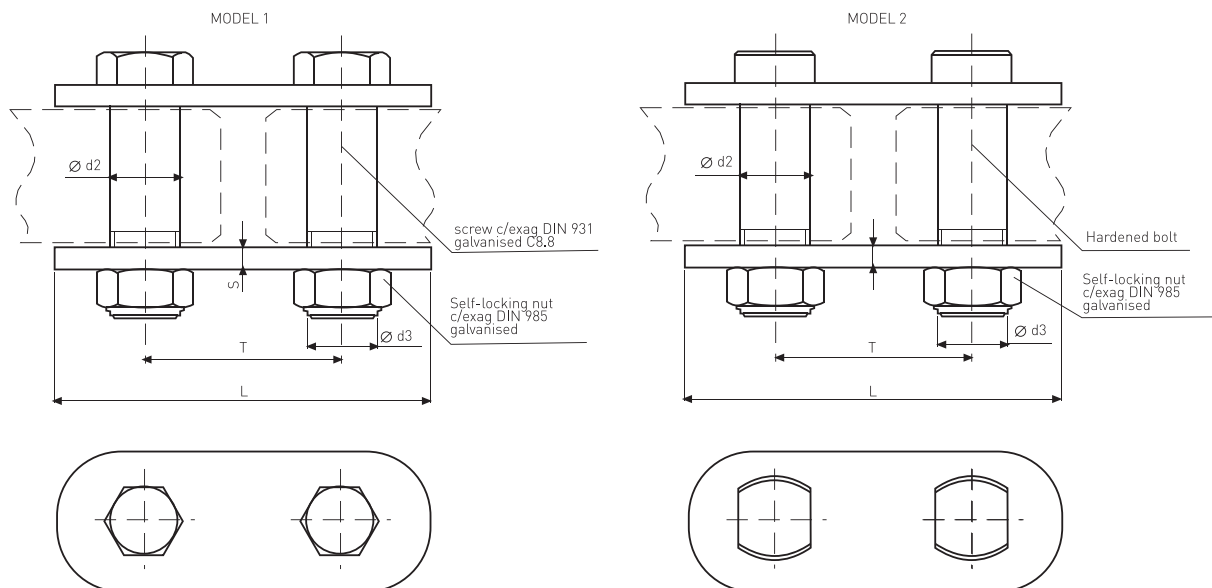
Øaxle	20	25	30	40	50	60
t	10	13	13	16	16	16
p	35	45	45	56	56	56
b	34	44	44	54	54	54
L	55	71	71	88	88	88

## LINKS



Øaxle	20	25	30	40	50	60
p	25,4	31,75	38,1	50,8	57,15	57,15
m	10	10	12	15/16	20/25	20/25
e	5	5	5	6/8	8/14	8/14
L	26	30	30	40	50/60	50/60

## LINKS & BOLTS



DIMENSIONS								
Ø Axle	for bearing	Ø d2 (mm)	for hole	Ø d3 (mm)	T (mm)	L max (mm)	s(mm)	MODEL
25	6305	9,8	10,3	M-10	31,75	62	5	MODEL 1
30	6306	11,8	12	M-12	38,1	68	5	MODEL 1
40	6308	14,5	15	M-12	50,8	93	6	MODEL 2
40	6310	14,5	15	M-12	50,8	93	6	MODEL 2
		20	20,5	M-20	57,15	109	8	MODEL 2
50	6312	20	20,5	M-20	57,15	109	8	MODEL 2
40								
50								
		25	25,5	M-20	57,15	117	15	MODEL 2